

ACUTE

Acute Easyfit Bath Shower Mixer

Product Specification

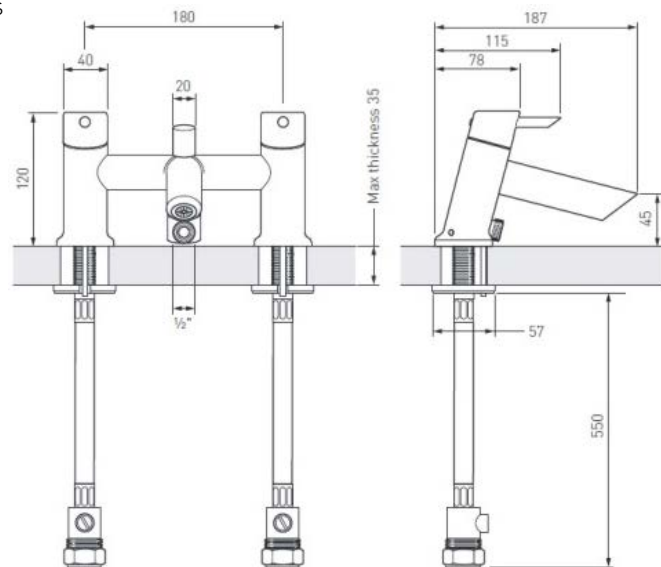
Product Code:	AE BSM C
Finish:	Chrome
Product Type:	Contemporary
Construction:	Body is of brass construction and is designed to conform to BS EN 200
Valve Type:	¼ Turn ¾" ceramic disc valves
Supply:	Suitable for all plumbing systems
Inlet Connections:	22mm Flexible connecting pipes incorporating isolation valves
Working Pressures:	Min 0.2bar, Max 8.0bar



Easyfit
FASTER. SMARTER.

Additional Information

- Unique patented technology
- Designed with the installer in mind to ensure installation and future maintenance is made quick and easy.
- Ceramic disc valves for added durability and ease of use.
- Supplied with flexible connecting pipes incorporating isolation valves.
- Supplied with easy to use metal lever handles.
- Supplied with 1.75m hose, wall bracket and single function shower handset with rub clean nozzles.
- Chrome plated to BS EN 248.



Dimensions are nominal and in millimetres.

Technical Advice: For further information please call 0844 7016273 or email customer@bristan.com

Guarantee: 5 years covering manufacturing faults.

Compliance / Approvals

WRAS: Manufactured to comply with WRAS.

Patent Applications: PCT/GB2011/051010

TW10018586

Flow Rates (litres per minute)

System Pressure	0.2bar	0.5bar	1bar	2bar	3bar	5bar
Single Outlet	11.1	17.5	24.2	34.2	41.9	54.1
Mixed	15.9	23.9	33.5	47.4	58.0	74.9
Through handset	5.0	7.2	10.5	14.8	18.2	23.5