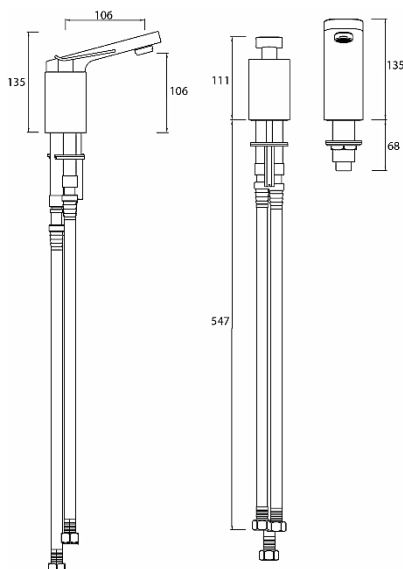


## ALP 2 Hole Bath Filler

### Product Specification

Product Code:	ALP 2HBF C
Finish:	Chrome plated
Product Type:	Contemporary
Construction:	Bodies are of all brass construction and is designed to conform to BS EN 200
Cartridge Type:	45mm Cartridge
Supply:	Suitable for all plumbing systems
Inlet:	M16 22mm Compression Flexible Tails
Working Pressures:	Min 0.4 Bar Max 5.0 Bar



### Additional Information

- Chrome plated to BS EN 248.
- Supplied with metal handle.

**Technical Advice:** For further information please call 0844 7016273 or email [customercare@bristan.com](mailto:customercare@bristan.com).

**Guarantee:** 5 years covering manufacturing faults.

### Flow Rates (litres per minute)

System Pressure	0.4 bar	0.5 bar	1.0 bar	2.0 bar	3.0 bar	4.0 bar
ALP 2HBF C (mixed)	14.1	15.9	23.5	33.5	41.1	47.5