

# PRODUCT DATA SHEET

## Montana Wall Mounted Bath Mixer

### Brushed Brass

Product Code: MON-029



**SCUDO**  
BEAUTIFUL BATHROOMS

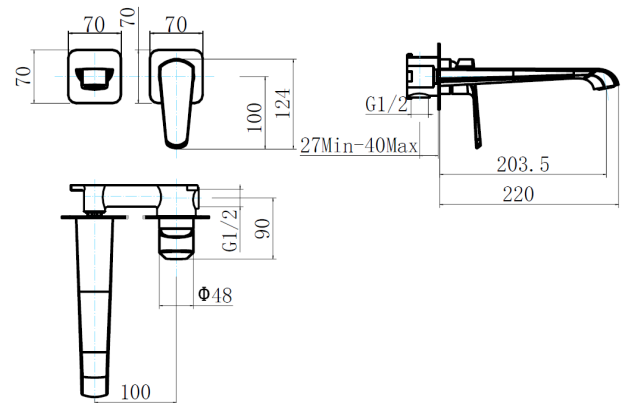
0330 124 7290

sales@scudo.co.uk - www.scudo.co.uk

Scudo is the trading name of Harrison Bathrooms Ltd. Whilst we endeavour to ensure that the product information is accurate we accept no liability for any information given. All images are for illustration purposes only. Product images and specification are subject to change. Measurement are in millimetres and are nominal.

Product Name	MON-029
Product Description	Montana Wall Mounted Bath Mixer Brushed Brass
<b>Product Transportation</b>	
Barcode	5060991258649
Country of origin	CH
Commodity code	8481801190
<b>Product Measurements</b>	
Product Weight	1.6KG
Product Width	170mm
Product Height	124mm
Product Length	220mm
<b>Primary Packed Measurements</b>	
Packaged Weight	2.2KG
Packed Height	240mm
Packed Width	165mm
Packed Length	127mm

<b>General Information</b>	
Construction Material	Brass
Installation type	Wall Mounted
Colour / Finish	Brushed Brass
<b>Tap / Shower Attributes</b>	
WRAS Approved	TBC
TMV Approved	TBC
Minimum Operating Pressure (bar)	0.5
Maximum Operating Pressure (bar)	5
Flexible Tails Included	Yes
Number of tap holes required	2
Handle Type	Lever
Swivel Spout	No
Inlet Connection	1/2
Outlet Connection	N/a
Tap Hole Diameter (mm)	35
Tap Type description	Wall Tap Bath Filler
Includes Waste	No
Valve / Cartridge Type	35mm
<b>Flow Rates</b>	
0.2bar (l/min)	5.3
0.5bar (l/min)	7.9
1bar (l/min)	10.9
2bar (l/min)	24.1
3bar (l/min)	18.6
5bar (l/min)	24



## Dimensions

(measurements in mm)



### LIFETIME GUARANTEE

We are confident in our products and we want our customer to be, we proudly give a lifetime guarantee on our taps and showers, further details can be found on our website