



Features:

- Long life and easy to use 1/4 turn ceramic disc valves
- Metal back nuts for added durability
- Includes 1.75m hose, handset and wall bracket

Product Certifications:



WRAS Certificate No: 2110351
WRAS Expiry Date: 31/10/2026

Kiwa Certificate No: 2111702
Kiwa Expiry Date: 01/11/2026



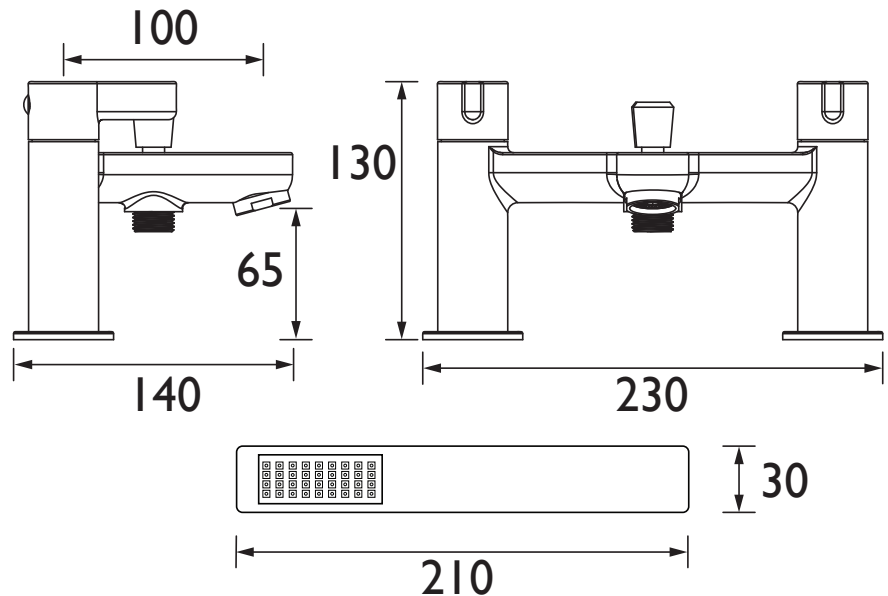
For more products, visit our website:
<http://www.bristan.com>



Specification

Product Type:	Bathroom Taps
Main Construction Material:	Brass
Mount Type:	Deck Mounted
Handle Type:	Lever Handles
Connection Inlet:	3/4" BSP
Connection Outlet:	G1/2"
Number of Tap Holes:	2
Valve/Cartridge Type:	1/4 Turn 3/4" Ceramic Disc Valve
Plumbing System Requirements:	Suitable for all plumbing systems
Minimum Dynamic Pressure (bar):	0.2 bar
Maximum Dynamic Pressure (bar):	5.0 bar
Maximum Hot Water Temperature °C:	65°C
Maximum Static Pressure (bar):	10 bar
Flow Type:	Single Flow
Isolation Included:	No

Dimensions (measurements in mm)



Flow Rates (l/min)

System Pressure (bar)	0.2	0.5	1	2	3	5
Through Bath Filler (mixed)	23.5	37.2	52.6	74.4	91.1	117.6
Through Handset (mixed)	4.1	6.4	9.1	12.8	15.7	20.3

TECHNICAL DATA SHEET



BRISTAN

D8