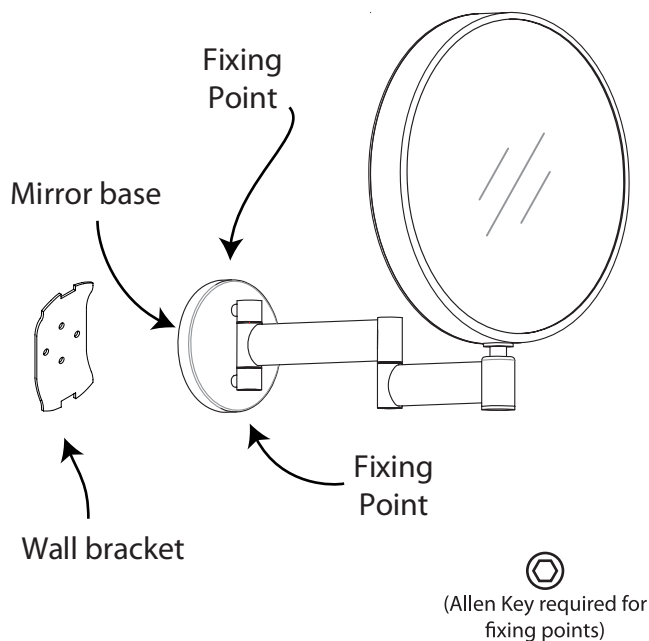


### Helix Magnifying Mirrors

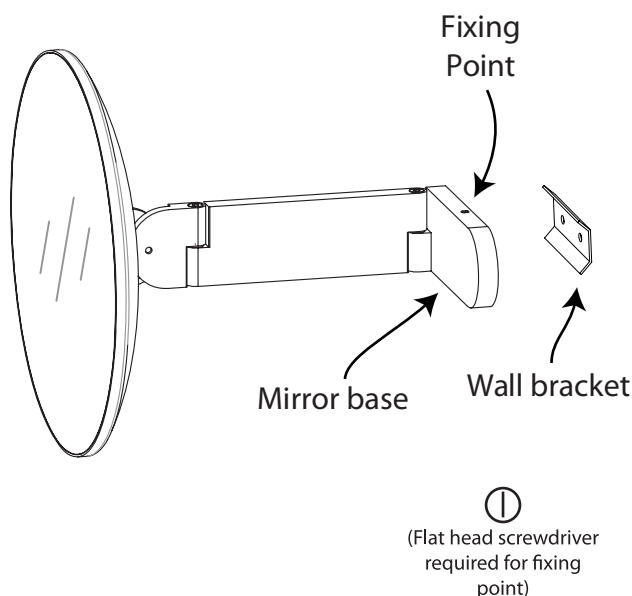
**Helix Round:** Art No. 21300

**Helix Square:** Art No. 21500



### Pure Magnifying Mirror

**Pure:** Art No. 21600



### Thank you for purchasing this HiB product.

Please read through these instructions carefully and refer back to them during installation to ensure that your product is fitted safely and that it retains its high quality finish.

**Please retain this leaflet for future reference.**

*Before drilling, ensure there are no hidden cables or pipes in the wall.*

### Installation

1. Position the magnifying mirror in a suitable location. **Do not position in direct sunlight as the magnifying effect of the mirror may pose a fire hazard.**
2. Remove the wall bracket from the mirror via the fixing(s) on the base of the unit (see mounting diagrams - figures 1&2).
3. Using the wall bracket as a guide, ensure it is level and carefully mark the required drilling locations using a soft pencil, then remove the wall bracket. Please ensure all marked drill positions accurately match up with the fixing points of the wall bracket before drilling.
4. Using a suitable drill bit, drill holes in the marked positions to a suitable depth. If drilling through tile, use a ceramic drill bit.
5. Insert wall plugs level with the surface of the wall. If fitting to a tiled surface, wall plugs should be inserted below the tile surface to avoid cracking. NB. For plasterboard walls, specialist fixings should be purchased, available from any DIY or hardware store.
6. Fix wall bracket into wall plugs.
7. Place the mirror onto the wall bracket and secure into place using the fixing(s) on the mirror base.

### Care Instructions

Do not use abrasives or solvents when cleaning this product.

Wipe off all water spillages as soon as possible using a soft, damp cloth.

### Aftercare Service

In the unlikely event that this product should fail, please contact HiB customer services on the contact details shown below.