



(Fig. 1)

This product is suitable for installation in zones: 2 & Outside Zone

All installations must comply with guidelines which are based on a zonal concept. The diagram above illustrates this concept and must be followed to ensure the safe installation of electrical appliances in the bathroom. These regulations apply to domestic installations only. Installations must be made in accordance with the current IEE wiring regulations and relevant building regulations. **HiB recommends that all electrical bathroom products should only be fitted by a suitably qualified, Part P registered electrician.**

Installation

1. Position the mirror in a suitable location (according to the zonal diagram - Fig. 1), ensuring that the domestic electrical mains supply is within reach of the electrical entry point of the product.
2. Carefully mark the position of the mirror using a soft pencil ensuring it is level. Remove the mirror and mark the mounting points. **Please ensure that all marked mounting points accurately match up with the fixing points on the mirror.**
3. Using a suitable drill bit, drill holes in the marked positions to a suitable depth. If drilling through tile, use a ceramic drill bit.
4. Insert wall plugs level with the surface of the wall. If fitting to a tiled surface, wall plugs should be inserted below the tile surface to avoid cracking. *NB. For plasterboard walls, specialist fixings should be purchased, available from any DIY or hardware store.*
5. Screw supplied fixings into wall plugs.
6. **Ensure the domestic electrical mains supply to which the mirror is being connected is turned off.** Connect the domestic mains supply to the terminal box according to the wiring diagram overleaf (Fig. B).
7. Hang the mirror in position.
8. Switch the domestic electrical mains supply for the mirror back on.

Operation Instructions

To turn illumination on or off, wave hand under the sensor switch located at the bottom of the mirror.

Heated Pad is only on when mirror is illuminated.

Illuminated Mirrors

Globe 45 Art No. 78400000 / Globe 50 Art No. 78500000
Globe 60 Art No. 78600000 / Globe 120 Art No. 78700000
Sonic Art No. 77430000 / Orb 50 Art No. 78550000
Orb 60 Art No. 78650000 / Zircon 50 Art No. 77600000
Zircon 60 Art No. 77610000 / Zircon 80 Art No. 77620000
Fleur Art No. 77440000 / Fahrenheit 50 Art No. 77480000
Fahrenheit 60 Art No. 77490000
Fahrenheit 80 Art No. 77500000

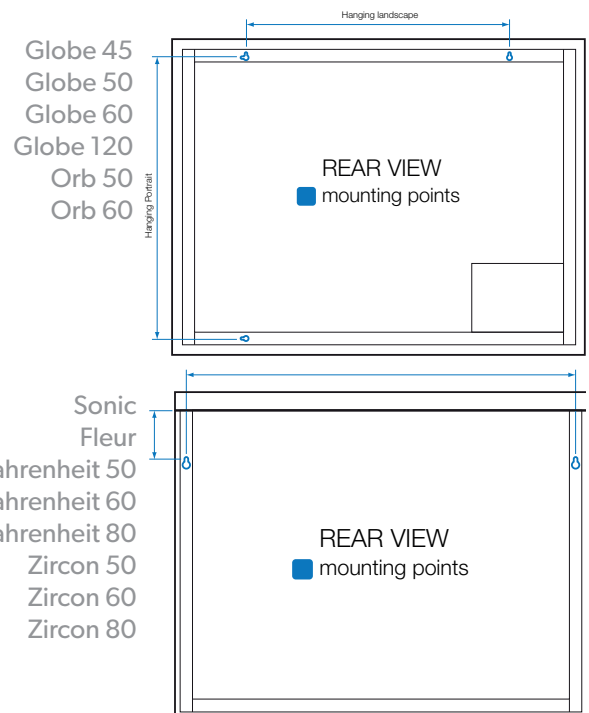
Thank you for purchasing this HiB product.

Please read through these instructions carefully and refer back to them during installation to ensure that your product is fitted safely and that it retains its high quality finish.

Please retain this leaflet for future reference.

Before installation, ensure the domestic electrical mains supply to which the mirror is to be connected is turned off. Before drilling, ensure that there are no hidden cables or pipes in the wall.

Mounting Points Diagram (Fig. A)



NB. These products must be installed with a minimum distance of 150mm between the infra-red sensor switch and any adjacent wall or object to ensure correct operation of the sensor.

Care Instructions

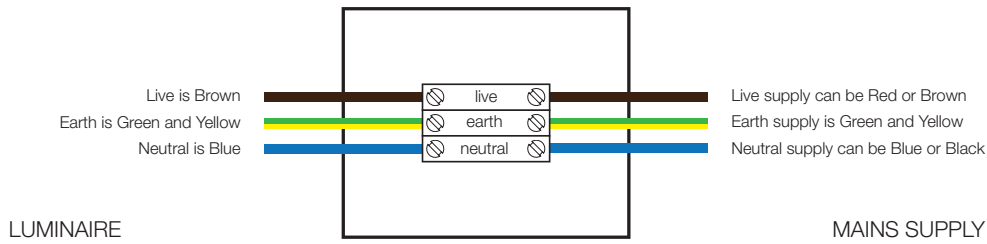
Do not use abrasives or solvents when cleaning this product. Wipe off all water spillages as soon as possible using a soft, damp cloth.

Aftercare Service

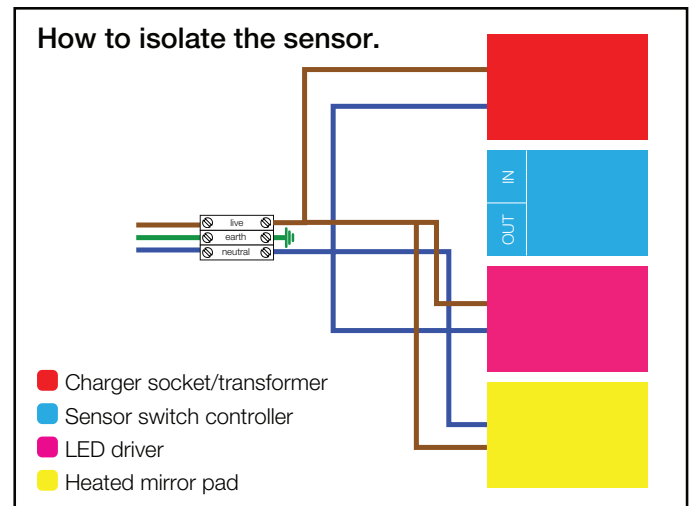
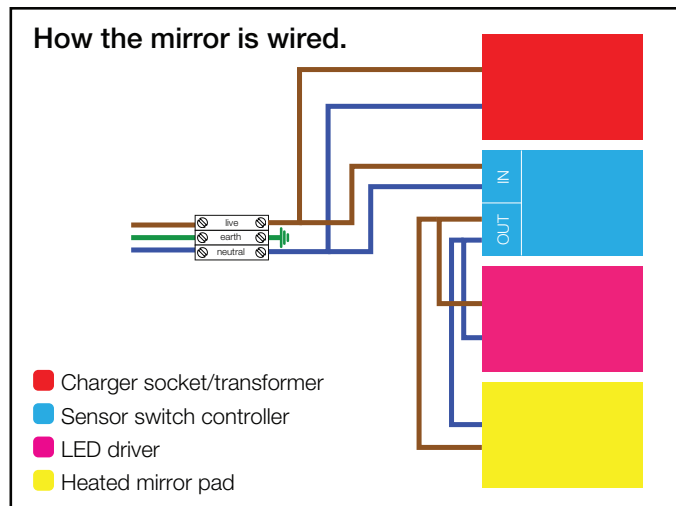
In the unlikely event that this product should fail please contact HiB customer services, details shown below.

Wiring Diagram (Fig. B)

Wiring Diagram



How to Isolate the sensor so you can switch ON & OFF with a mains switch (Fig. 2)



Rewire the mirror as shown in the diagram above. HiB recommends that all electrical bathroom products should only be fitted by a suitably qualified, Part P registered electrician.

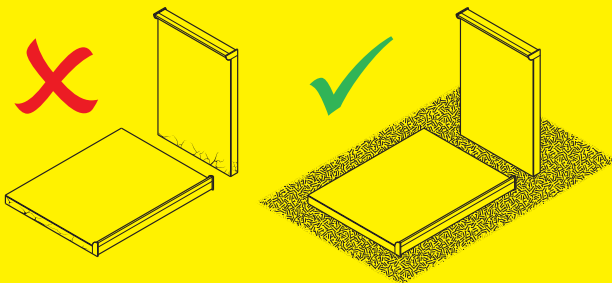
For further assistance on isolating the sensor please contact us at:

Tel: +44 (0)20 8441 0352

Email: sales@hib.co.uk

Caution

We recommend that you place this mirror on a soft flat surface to ensure no breakages. We also recommend that you leave corner protectors on until final fitting



Please do not lift the product by the plastic diffusers as this may cause damage to your product.



WEEE compliance
Must not be mixed with general household waste

T: +44 (0)20 8441 0352 F: +44 (0)20 8441 0219 E: sales@hib.co.uk hib.co.uk

Building 3, North London Business Park, Oakleigh Road South, New Southgate, London. N11 1GN

©HiB Copyright: No part of this document may be reprinted or duplicated without HiB consent. All sizes and measurements are approximate, but we do try and make sure they are as accurate as possible. In the interest of continuous product development, HiB reserves the right to alter specifications as necessary. E & OE.